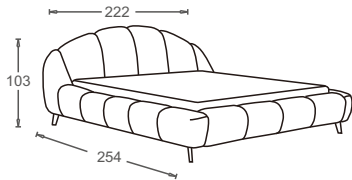
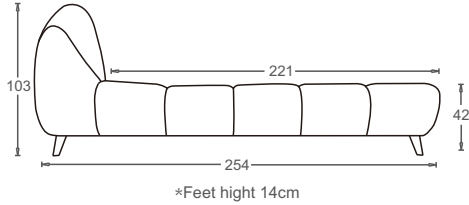
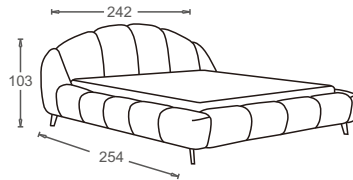


Schematics

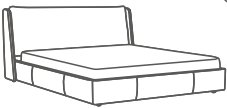
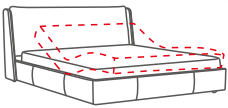
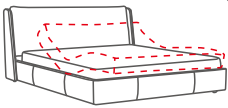
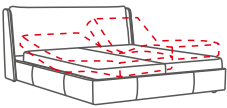


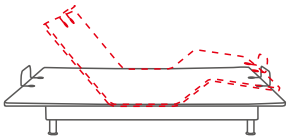
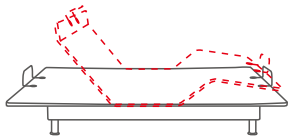
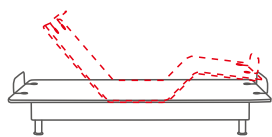
Size Optional:1.8m*2m Optional :A/B/C/D



Size Optional:2m*2m Optional :A

Optional function display

Function display:			
(A) 	(B) 	(C) 	(D) 
Static Mattress Frame	Double Motor Mattress Frame	Three Motor Mattress Frame	Double Motor Mattress Frame (Seperated type)

电动床架展示:		
		
Double Motor Mattress Frame (Size Optional:150cmx200cm/180cmx200cm)	Three Motor Mattress Frame (Size Optional:150cmx200cm/180cmx200cm)	Double Motor Mattress Frame (Seperated type) (Size Optional:90cmx200cm)